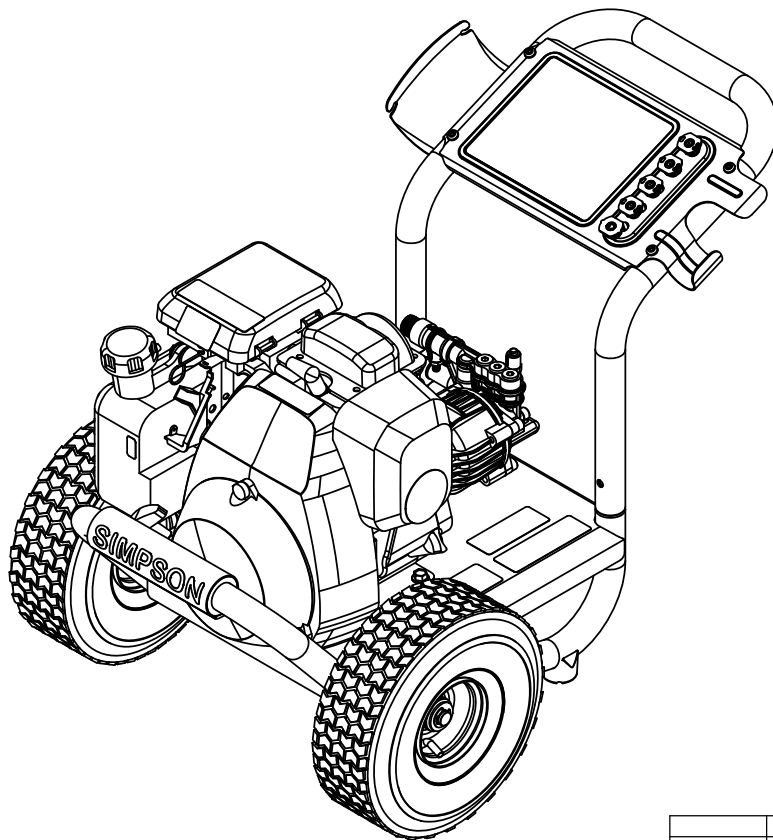
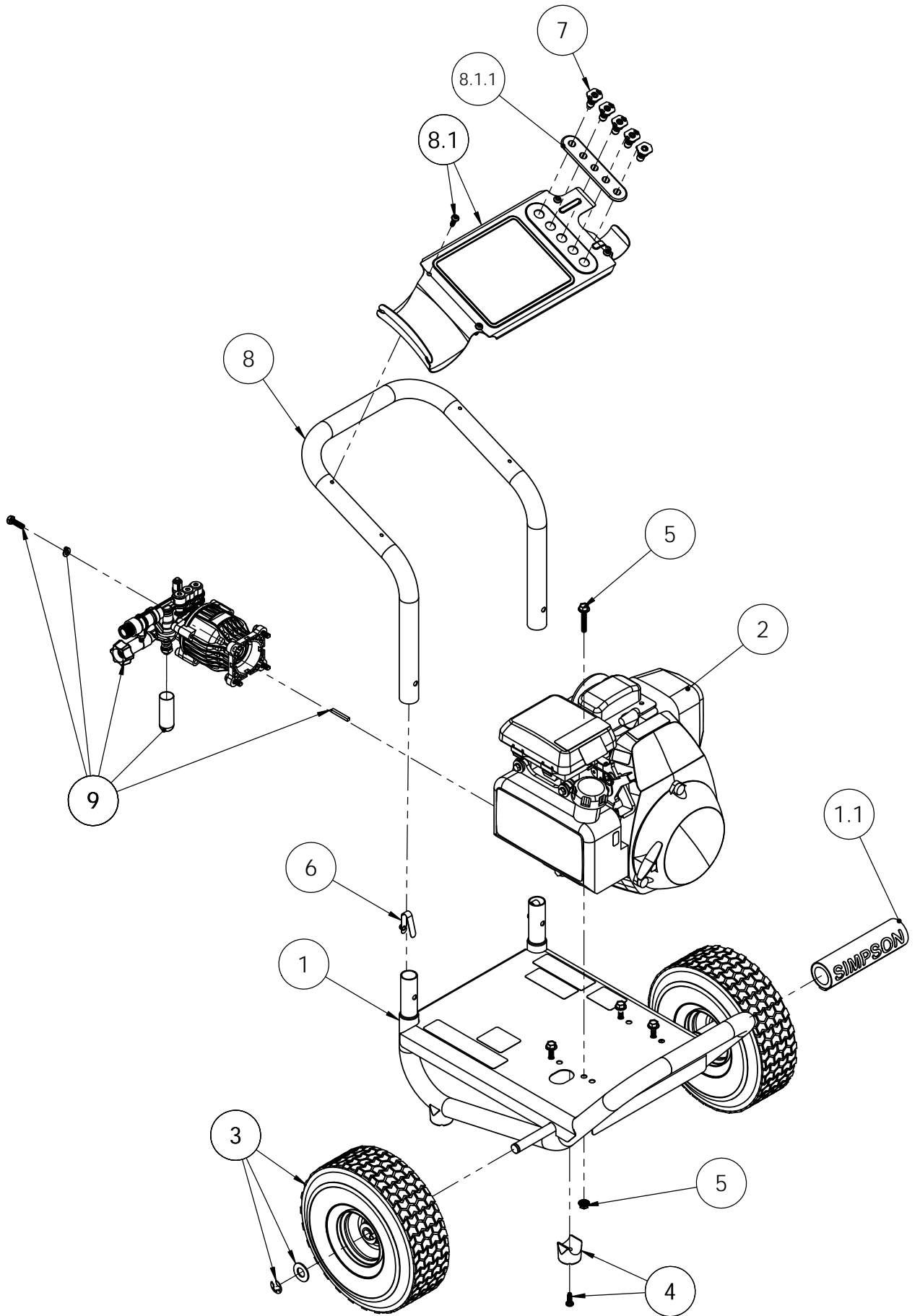


ITEM	PART NO	QTY.	DESCRIPTION
1	7109235	1	FRAME, BASE ASSY, 11.75 BLACK WITH LABELS
1.1	7105186	1	HANDLE GRIP, SILVER/WHITE SIMPSON
2	7105472	1	GC190 HONDA ENGINE, SVC ASSY W/LABELS
3	7105013	1	WHEEL, SERVICE KIT
4	7109385	2	FOOT SERVICE KIT
5	7103750	1	MOUNTING KIT, ENGINE
6	7102122	2	BUTTON, SNAP
7	7110477	1	5PC NOZLE 1PCSS 2.7-0,3.0-15,25,40&PSOAP
8	7110980	1	HANDLE SVC ASSY, 60968
8.1	7110979	1	DASHBOARD SVC ASSY, 60968
8.1.1	7103161	1	NOZZLE HOLDER, 5PC RUBBER
9	7109581	1	PUMP, SVC ASSY



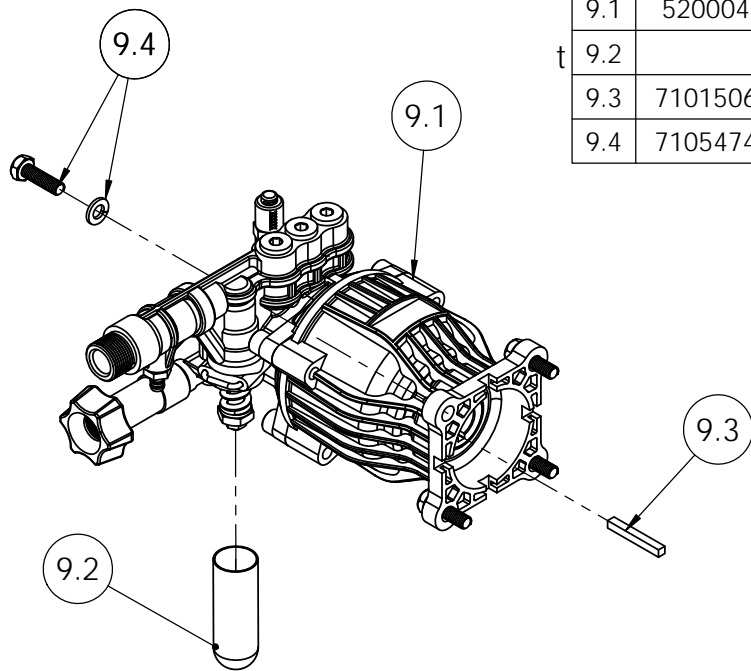
NAME		DATE	FNA-GROUP 1265 INDUSTRIAL STREET, DECATUR, AR 72722	
DRAWN	JHS	MAR 2018		
CHECKED	DH/OSW	MAR 2018	MS60968-S 3200PSI @ 2.5GPM	
ENG APPR.	OSW	MAR 2018		
MFG APPR.	-	-		
Q.A. APPR.	-	-		
SERVICE APPR.	DH	MAR 2018		
PROPRIETARY AND CONFIDENTIAL THE INFORMATION CONTAINED IN THIS DRAWING IS THE SOLE PROPERTY OF FNA-GROUP. ANY REPRODUCTION IN PART OR AS A WHOLE WITHOUT THE WRITTEN PERMISSION OF FNA-GROUP IS PROHIBITED.			SIZE A DWG. NO. 60968-S REV. A	
SCALE: N/A		ECN# EC180159	SHEET 1 OF 3	



SIZE	DWG. NO.	REV.
A	60968-S	A
SCALE: N/A	ECN# EC180159	SHEET 2 OF 3

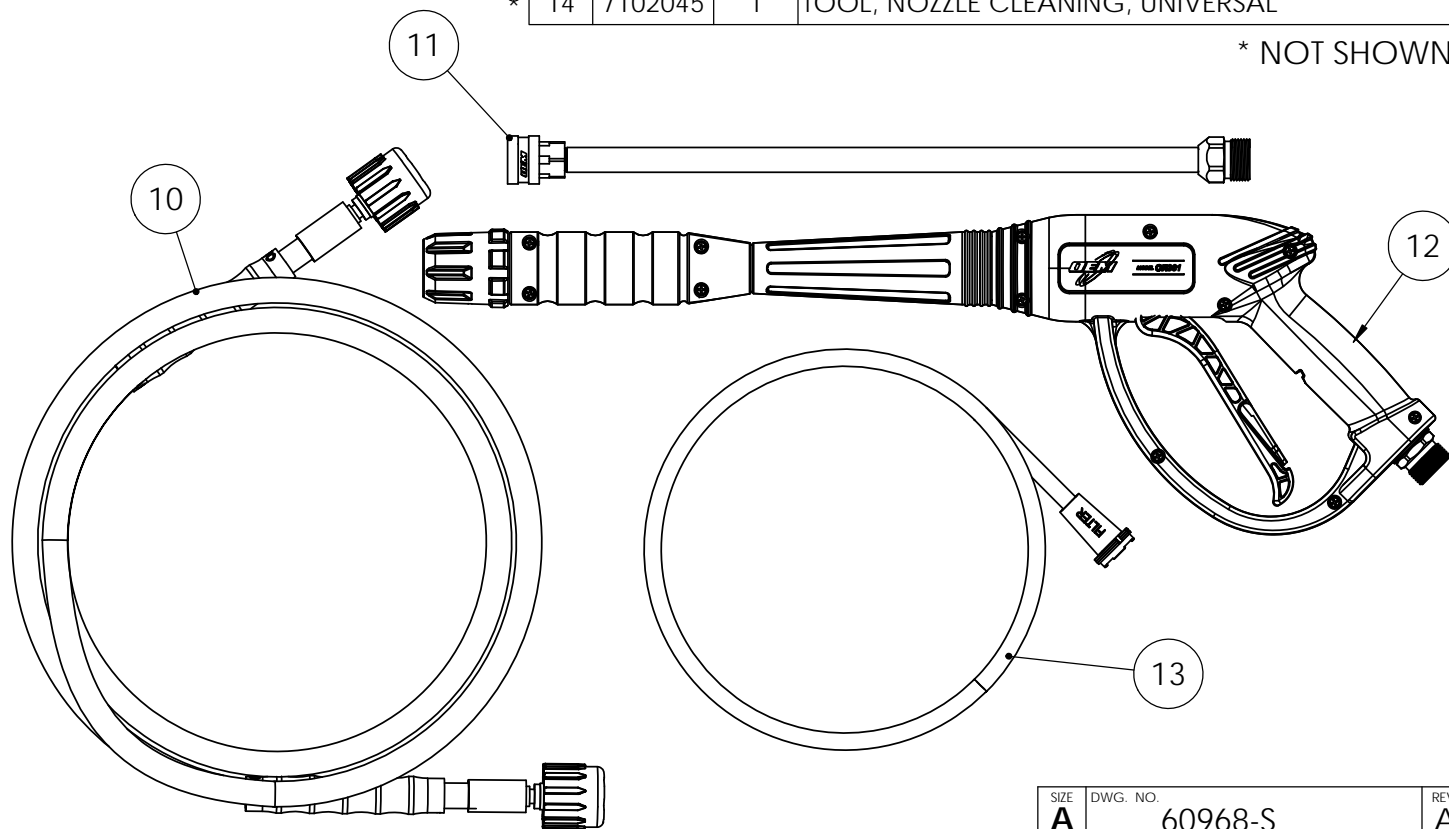
ITEM	PART NO	QTY.	DESCRIPTION
9	7109581	1	PUMP, SVC ASSY
9.1	520004	1	PUMP, HORZ, 12mmx12DEG, P/B, AL UNIHEAD
t 9.2		1	CAP, UNLOADER COVER 1 1/2" x 5/8" BLACK
9.3	7101506	1	KEY, SHAFT 3/16 X 3/16 X 1-1/2
9.4	7105474	1	HARDWARE KIT, PUMP MOUNTING

t NOT SOLD SEPARATELY



ITEM	PART NO	QTY.	DESCRIPTION
10	7106419	1	HOSE, MORFLEX 1/4" x 25' x 3100PSI M22(M) x M22(F)
11	7103550	1	LANCE, 16" W/ 1/4 QC AND M22(M)
12	7109565	1	GUN, 3600PSI 8GPM M22(M) X M22(F) OEM
13	7102207	1	KIT, SVC ASSY SOAP HOSE W/PLASTIC FILTER
* 14	7102045	1	TOOL, NOZZLE CLEANING, UNIVERSAL

* NOT SHOWN



SIZE	DWG. NO.	REV.
A	60968-S	A
SCALE: N/A	ECN# EC180159	SHEET 3 OF 3